

# FLAT ROOFLIGHT INSTALLATION MANUAL

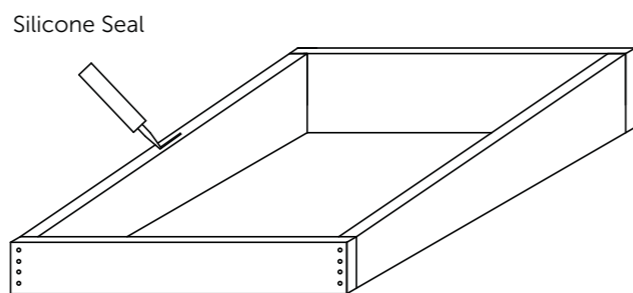
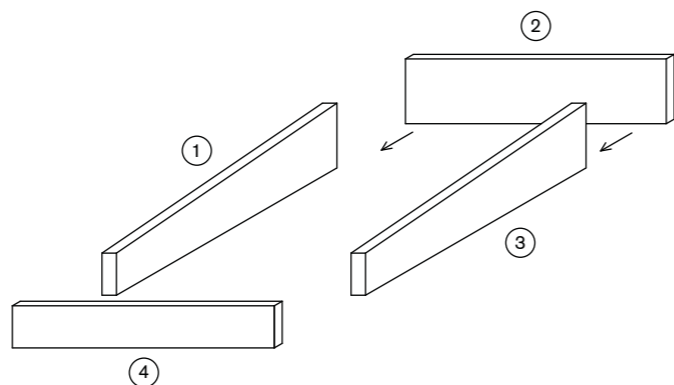
**ATLAS**  
MORE SKY LESS ROOF™

**1** Lift external composite kerb onto the flat roof and fix together at the corners with screws.

**2** Once the external kerbs have been secured to the flat roof cover the kerbs with weatherproof membrane.

**3** Before lifting the glazed rooflight onto the kerb structure, run a silicone seal on top of the kerb membrane.

**4** Lift the glazed rooflight onto the top of the kerb, keeping an equal spacing around the perimeter.

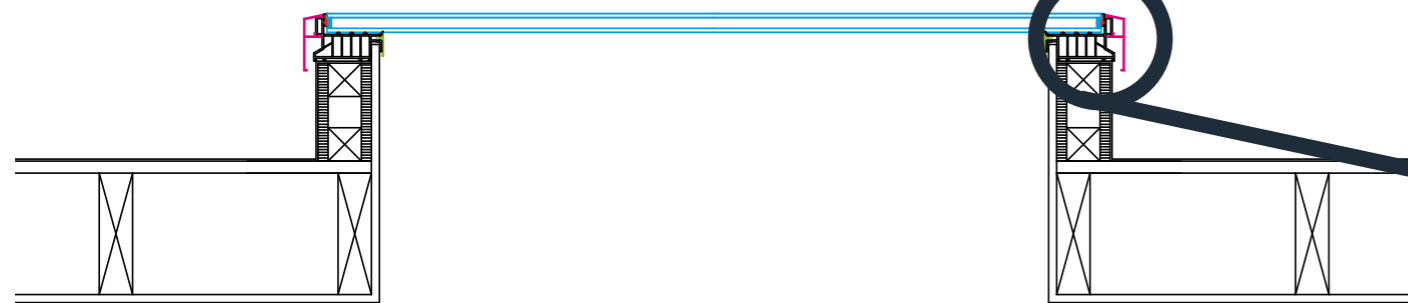
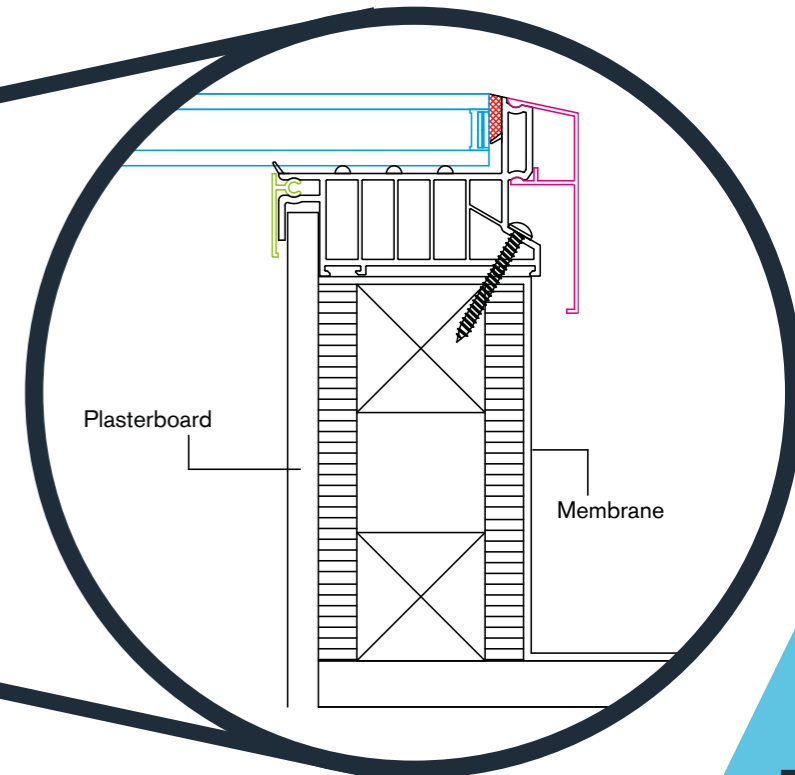
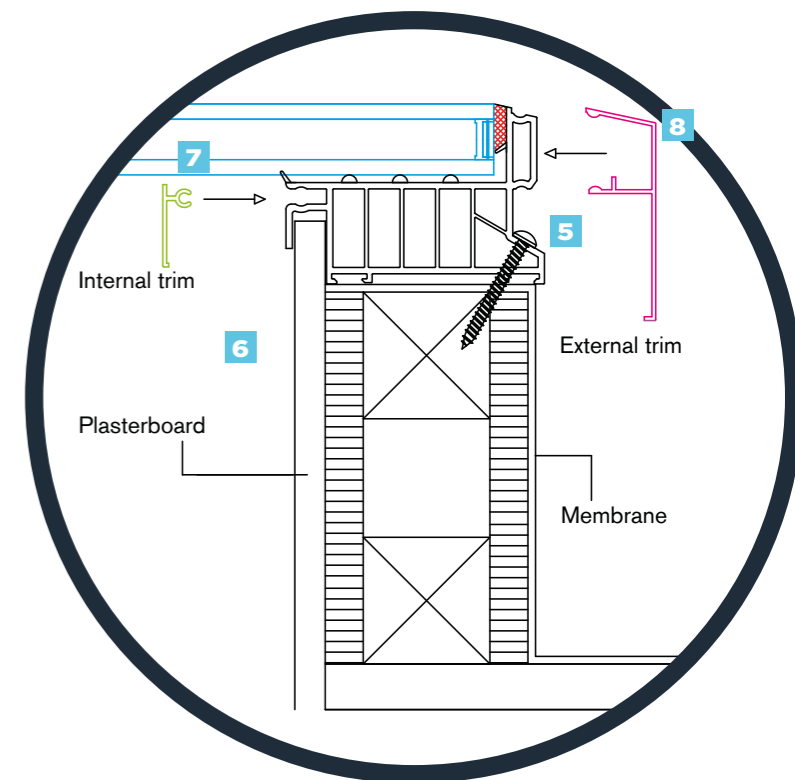


**5** Once in place, screw through the rooflight outer frame into the kerb at 250mm centres. Make sure fixings are all secure.

**6** After roof has been permanently secured, fix internal plasterboard into U channel slot on the internal perimeter of the rooflight.

**7** Clip on the interior trims - fix the two tight trims first and the other adjacent trims between the fitted trims.

**8** Fix the exterior trims around the perimeter of the rooflight using a rubber hammer if necessary.



**FLAT ROOFLIGHT**  
**INSTALLATION MANUAL**

**ATLAS**

**MORE SKY LESS ROOF™**

[www.atlasroofsolutions.co.uk](http://www.atlasroofsolutions.co.uk)

[sales@atlasroofsolutions.co.uk](mailto:sales@atlasroofsolutions.co.uk)

02838 327741

PART OF THE CUSTOMADE GROUP